

Digital Micrometer



5202-25

IP65 Electronic Outside Micrometer



5203-25

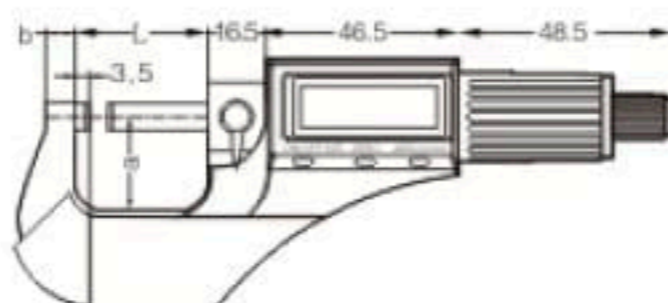
Technical Data

Model number	Measuring range (mm)	Resolution (mm/)	Accuracy (mm)	a (mm)	b (mm)	L (mm)	part No.	a (mm)	b (mm)	L (mm)
5202-25	0-25	0.001	±0.003	22.5	7.0	32	5203-25	21	8.5	31.5
5202-50	25-50	0.001	±0.003	31.3	7.9	57	5203-50	32	9.5	60
5202-75	50-75	0.001	±0.004	47	8.0	82.5	5203-75	47	12.8	82.5
5202-100	75-100	0.001	±0.004	55.3	12.8	107.5	5203-100	60.4	14.4	108

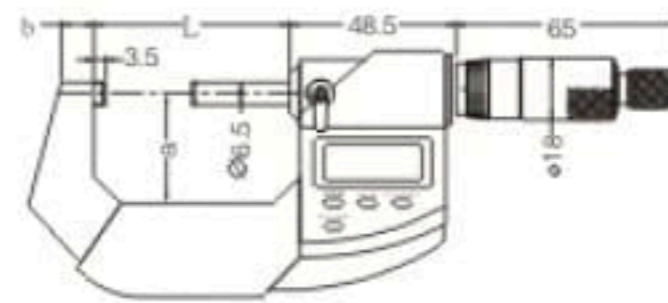
Features

- NO/OFF. . . SET key: Power switch, Datum set
- ABS/INC. . . unit key: Absolute & relative measuring. Metric/inch conversion
- Accuracy: 0.001mm
- Resolution: 0.001mm
- Measuring force: 5~10N
- Power consumption ≤ 20uA
- Storage temperature: -20~60°C
- Operating temperature: 0-40°C

Dimensional Drawings



5202-25



5203-25