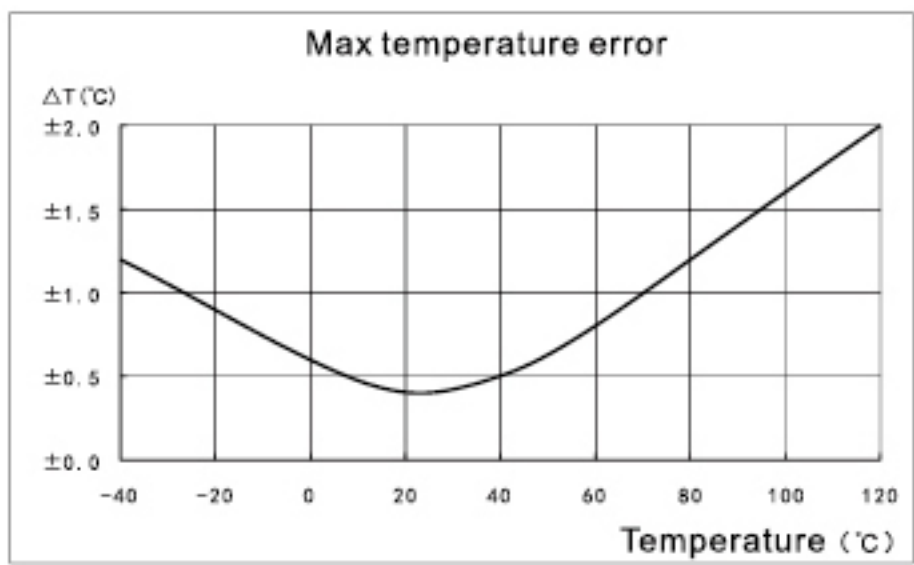




Specification

Precision	Typical $\pm 0.5^{\circ}\text{C}$ (See Fig 5)
Response time	5~30S
Measuring range	-30~80 $^{\circ}\text{C}$
Memory size	61440
Power	1/2AA 3.6V Lithium Battery
Size	126*28*22mm
Weight	49g
Accessories: Cover, Bracket, Screw*2, CD, Lithium Battery	

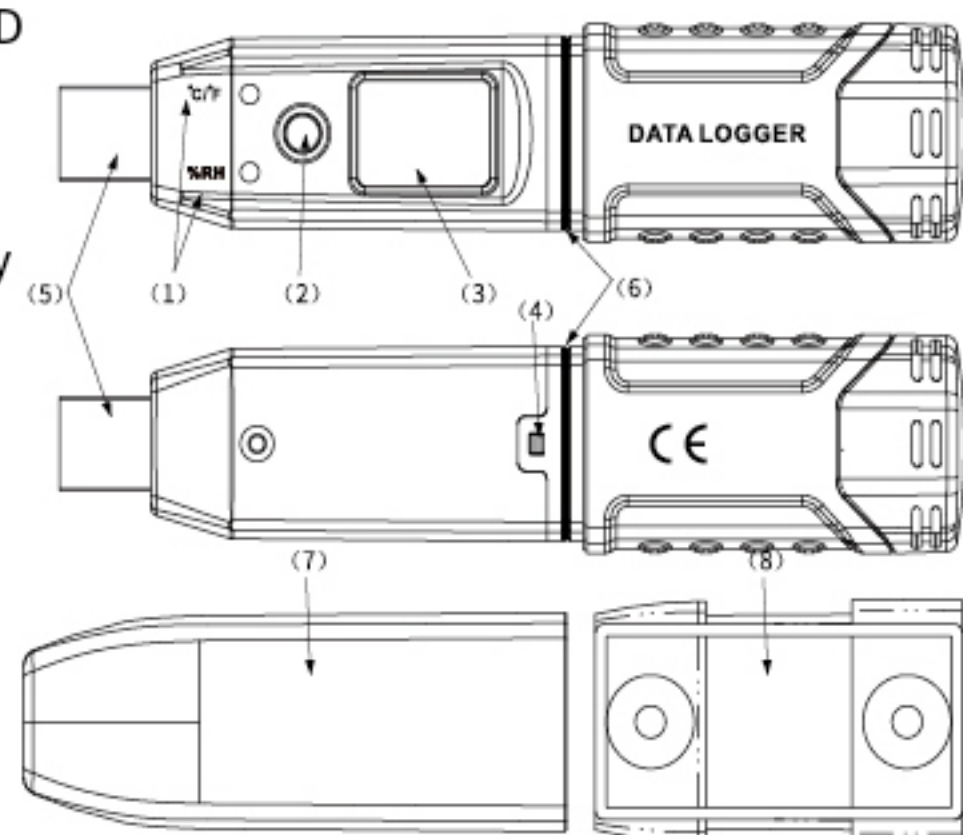


Features

- 1. Suitable for humid and dusty environment with special IP67 water-proof structure.
- 2. High precision and quick response.
- 3. Low power consumption design for continuous operation over 12 months with 1/2 AA 3.6V lithium battery which can be replaced quickly.
- 4. Allowing to set upper and lower limits for temperature alarming, the LED light flashes if the reading is beyond limits.
- 5. Large data storage up to 61440 groups of data.
- 6. Attached with PC analysis software for users to manipulate the unit.

Structure of the device

- 1. Overflow alarm LED
- 2. Key
- 3. LCD
- 4. Position for battery replacement
- 5. USB interface
- 6. Waterproof rubber ring
- 7. Transparent waterproof cover
- 8. Bracket



LINE ID: @neonics



ติดต่อบริษัท เนโอเนิกส์ จำกัด
 Tel: 02-077-7602 หรือ 061-8268939
 E-mail: sale@tools.in.th หรือ sale@neonics.co.th